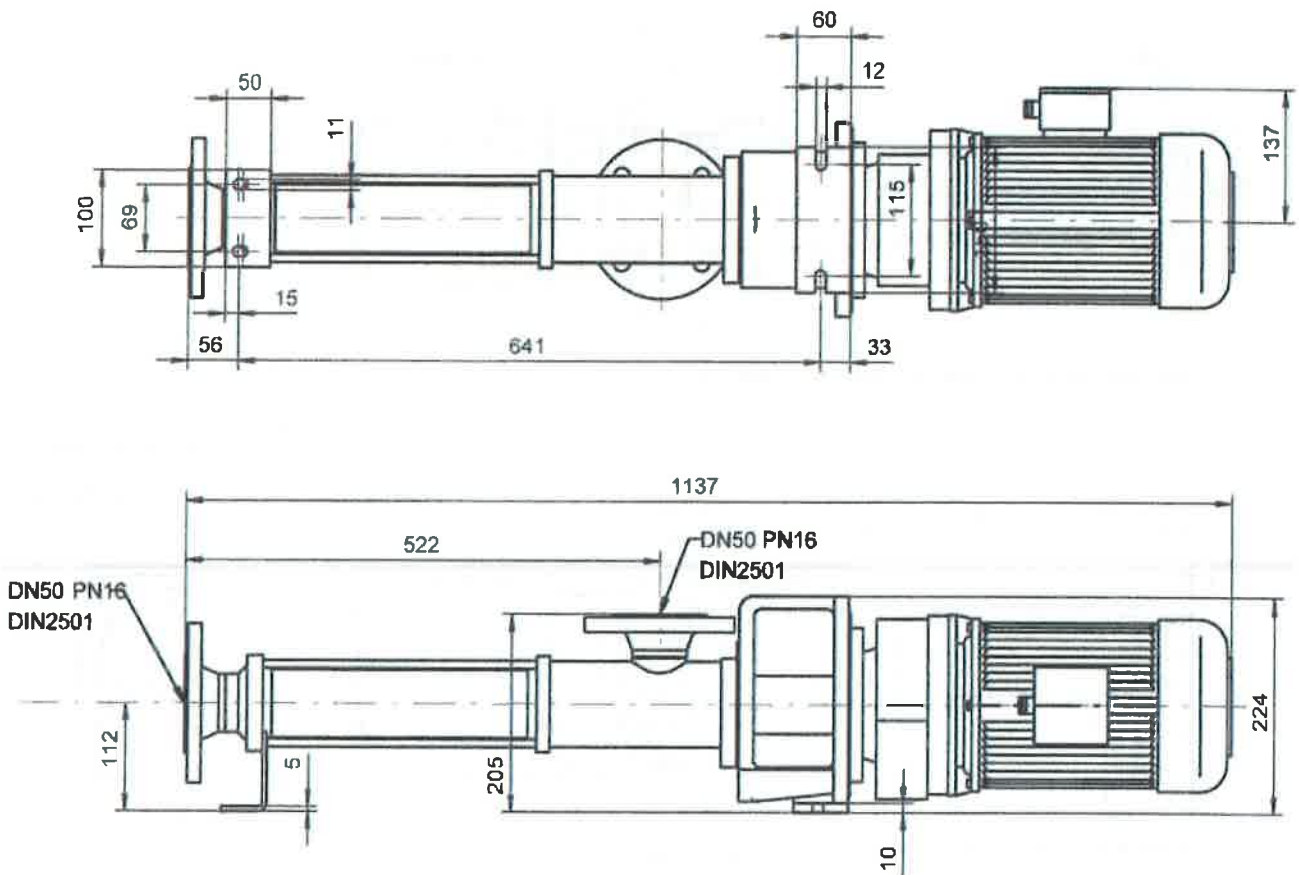


# PROGRESSIVE CAVITY SLUDGE SCREW PUMPS

## EXN 50



*Ask SCARDANA about all pump replacements*

# SCARDANA®

DIVISION OF SCARDANA CORPORATION

**FAX: (1) - 450 - 671 - 3898**

**TEL: (1) - 450 - 465 - 2480**

**E-mail : [service@scardana.com](mailto:service@scardana.com)**

**Web : [www.scardana.com](http://www.scardana.com)**