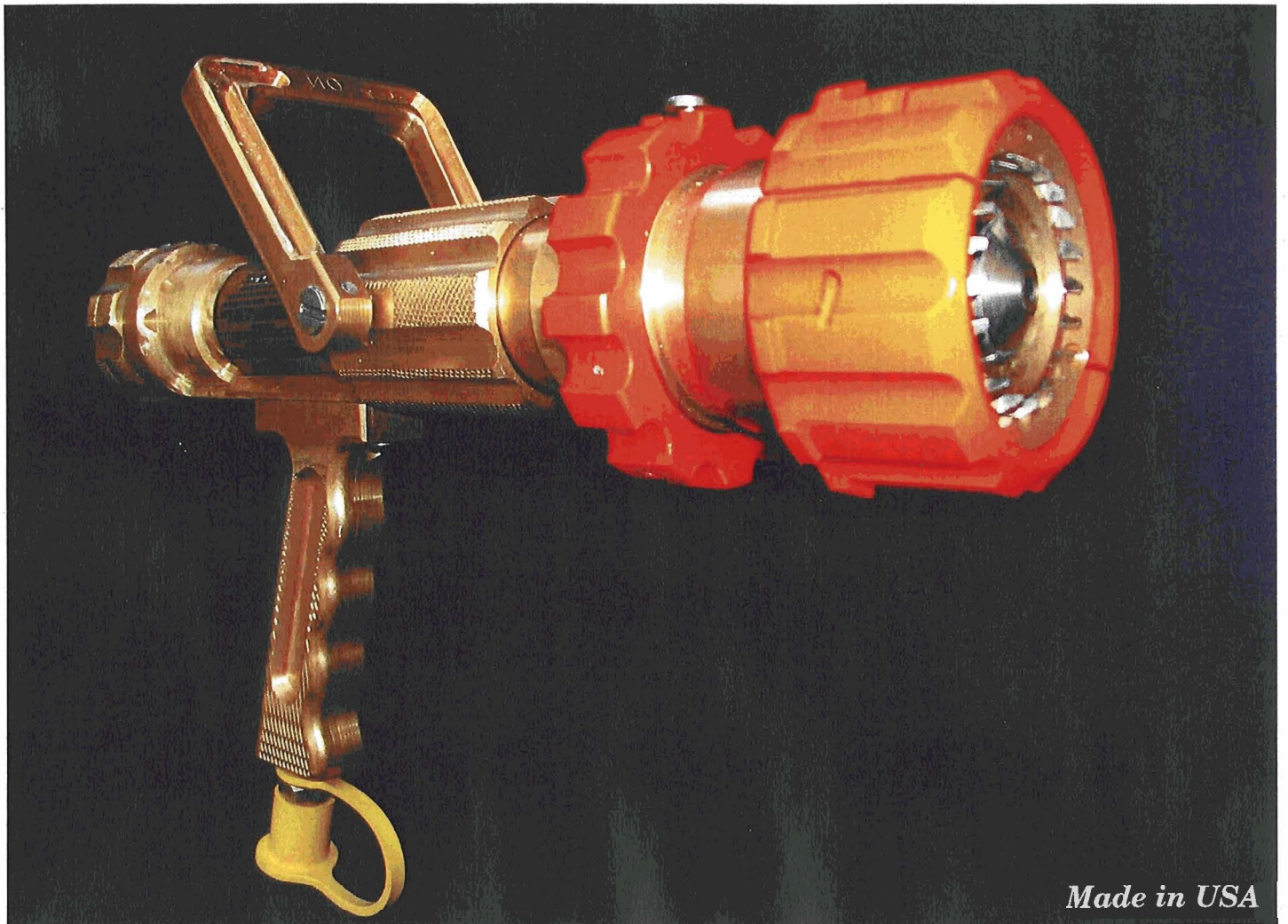


Marine Firefighting

*The world's most powerful and effective
firefighting portable foam applicator for ships*

*Navy, cruise, tanker, ferry, platform, dry cargo:
No marine craft should be without it*



Made in USA

SCARDANA®

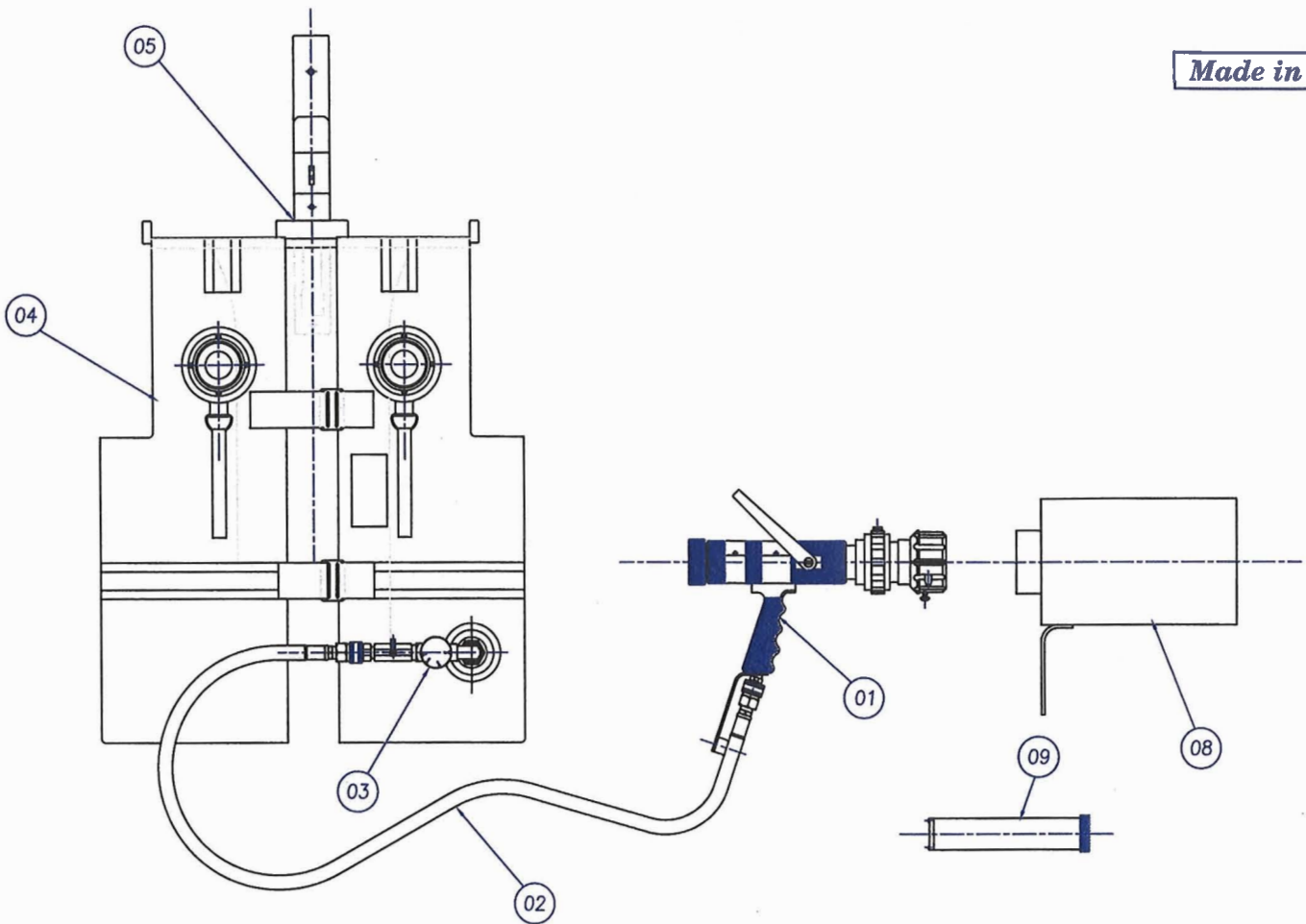
FAX: (1) - 450 - 671 - 3898

TEL: (1) - 450 - 465 - 2480

E-mail: sales@scardana.com

Web: www.scardana.com

Made in USA



Item Qty	Description	Drawing No.	Part No.
09	1 Repair kit	0412-09B	RP-kit
08	1 Tip, attachment low-med expansion	0412-08D	LX-MX-95
07	1 Bag, carry		CB
06	1 Cover, jacket	0412-06E	CV-FJ
05	1 Bracket, wall-mount	0412-05E	BKT-WM
04	1 Jacket, AFFF @ 95GPM	0412-04E	FJ-95
03	1 Ratio controller sub-assembly	0412-03B	RC
02	1 Hose, AFFF pick up tube	0412-02B	HSE, AFFF @ 95GPM
01	1 Nozzle, turbo @ 95GPM (aluminum)	0412-01D	PFA-95-AL

Material List



12/Dec/04
M.W.R. 28/Dec/04
I.R. 29/Dec/04

**95 GPM Portable Foam
Applicator
Arrangement**

E 0412-00E 01

Full technical details see www.imssco.com