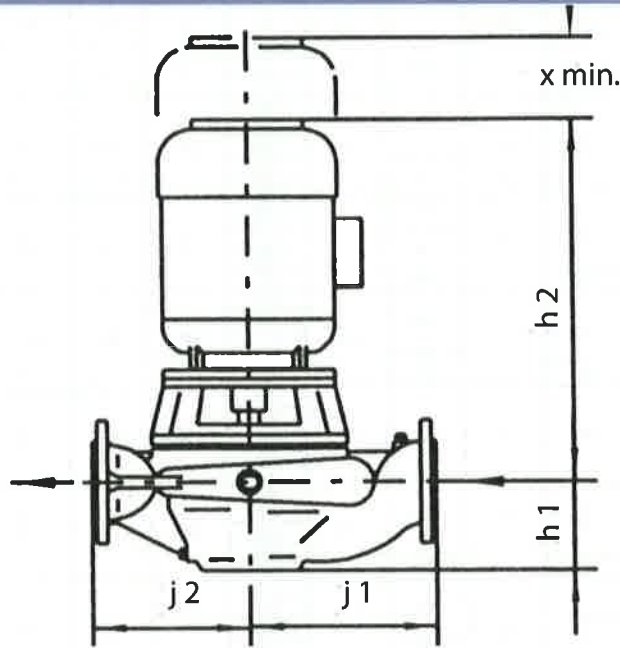
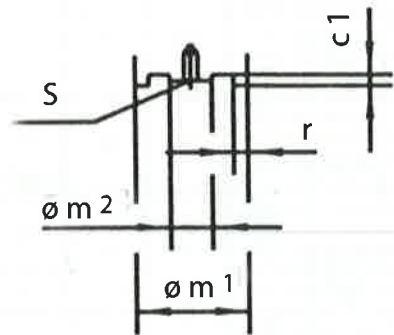
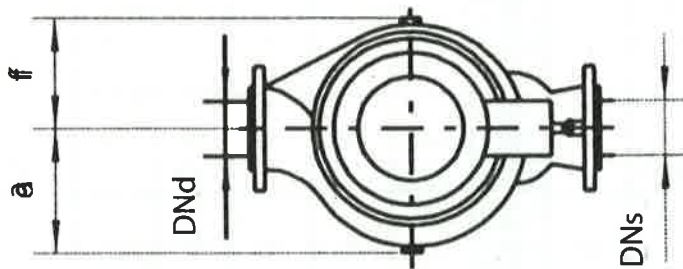


# VERTICAL COMPACT MARINE PUMPS



Flanges  
DIN-2533 PN-16

Pump base detail



Dimensions

In mm.

*Ask SCARDANA about all pump replacements*

## SCARDANA

DIVISION OF SCARDANA CORPORATION

**Toll free Fax : (1) - 877 - 228 - 9879**

**FAX: (1) - 450 - 671 - 3898**

**TEL: (1) - 450 - 465 - 2480**

**E-mail : [service@scardana.com](mailto:service@scardana.com)**

**Web : [www.scardana.com](http://www.scardana.com)**

*Sizes and dimensions : see other side*