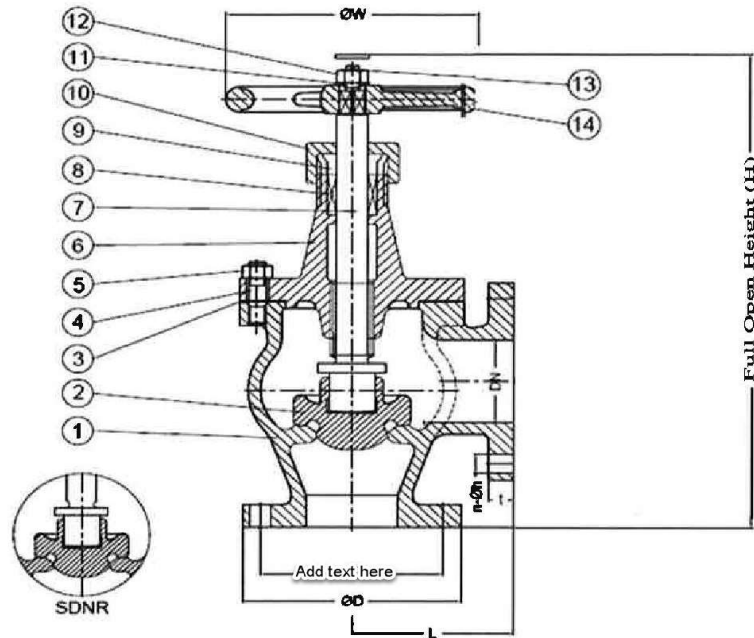


# Valves – all types and sizes

## See how Scardana offers Valves



**Discover how SCARDANA helps you with your  
VALVE requirements.**

*Send us your inquiries and get a quote.*

**SCARDANA®**

Procurement & Supply Chain Contractors

Worldwide since 1974

***Tel.: (1) 450 465 6556***

***Fax: (1) 450 671 3898***

***sales@scardana.com***

***www.scardana.com***

# VALVES – all types, all sizes

WE QUOTE VALVES WITH SCHEMATIC DRAWING

Storm Valves

Globe Valves

Angle Valves

Safety Valves

Butterfly Valves

Emergency Shut-off Valves

Y-Strainers

Diaphragm Valves

Relief Valves

Mud Boxes

Gate Valves

Change Over Valves

Ball Valves

Overboard Valves

Check Valves

Swing Check Valves

Needle Valves

Steam Traps

Overflow Valves

ASK SCARDANA ABOUT ALL VALVE REPLACEMENTS

# SCARDANA®

Procurement and Supply Chain Contractors

TEL.: (1) 450 465-6556 | FAX: (1) 450 671-3898

[sales@Scardana.com](mailto:sales@Scardana.com) | [www.Scardana.com](http://www.Scardana.com)

*Send us all your difficult parts and equipment requirements*

# VALVES

## ALL TYPES, AND SIZES



*SCARDANA: THE RIGHT CHOICE FOR ALL  
YOUR VALVE REQUIREMENTS*

**SCARDANA**  
Procurement &  
Supply Chain Contractors  
Worldwide since 1974

TEL.: (1) 450 465-6556  
FAX: (1) 450 671-3898  
Sales@Scardana.com  
www.Scardana.com

Storm Valves, Mud Boxes, Change Over Valves, Air Pipe Heads, Safety Valves, Butterfly Valves, Emergency Shut-off valves, Y-Strainers, Diaphragm Valves, Relief Valves, Gate valves, Globe Valves, Angle Valves, Ball Valves, Overboard Valves, Check Valves, Swing Check Valves, Needle Valves, Steam Traps, Overflow Valves