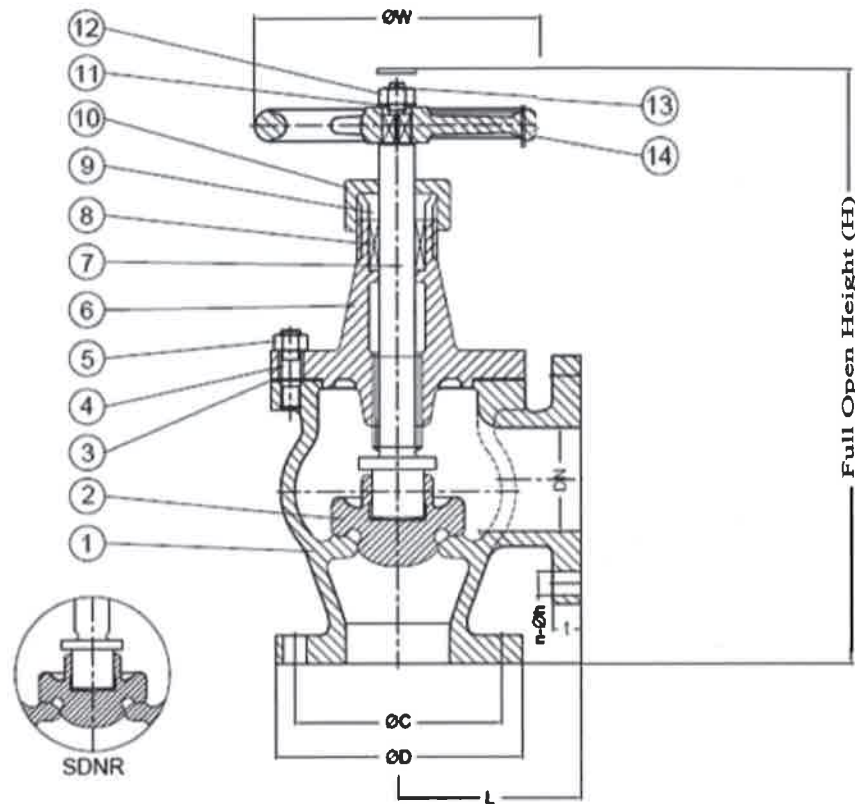


See how Scardana offers Valves



Discover how SCARDANA helps you with your
VALVE requirements.

Send us your inquiries and get a quote.

SCARDANA®

Procurement & Logistics Contractor
Worldwide since 1974

Tel: (1) 450-465-6556

Fax: (1) 450-671-3898

E-mail: sales@scardana.com

Web: www.scardana.com