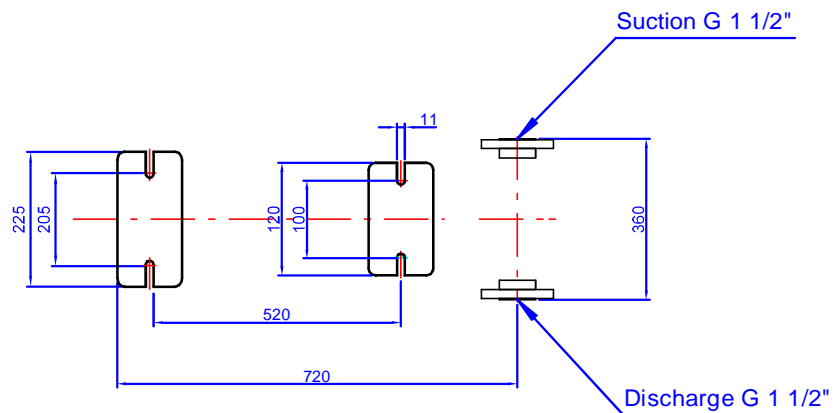
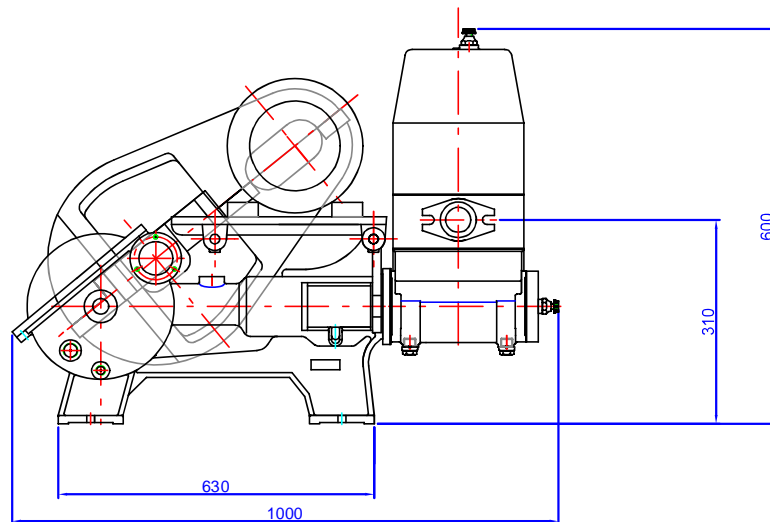


PISR 50

Piston Pump Horizontal



Ask SCARDANA about all pump replacements

SCARDANA®

DIVISION OF SCARDANA CORPORATION

FAX: (1) - 450 - 671 - 3898

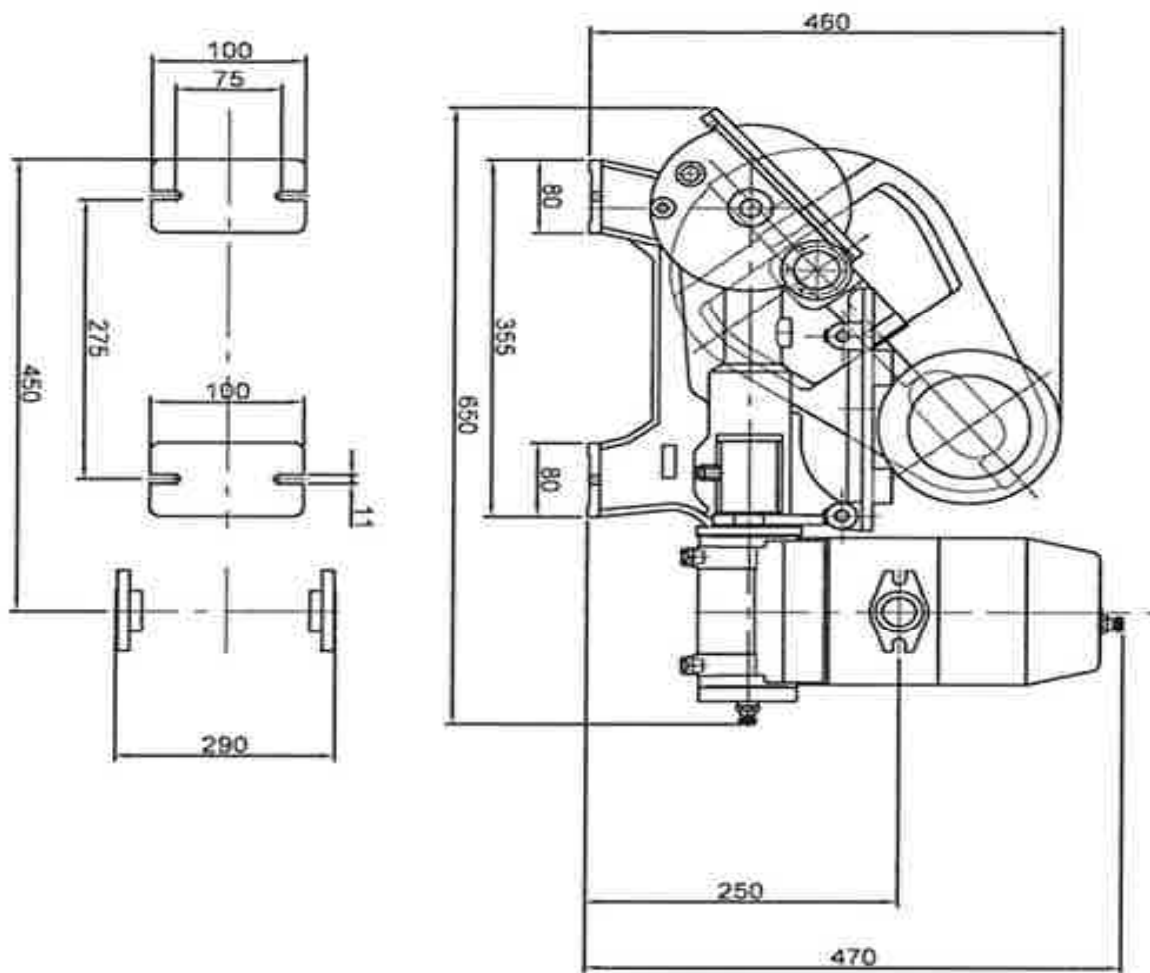
TEL: (1) - 450 - 465 - 2480

E-mail : service@scardana.com

Web : www.scardana.com

PISR 20 A

Piston Pump Horizontal



Ask SCARDANA about all pump replacements

SCARDANA®

DIVISION OF SCARDANA CORPORATION

TEL: (1) 450 - 465-6556

FAX: (1) 450 - 671-3898

E-mail: service@scardana.com

Web: www.scardana.com