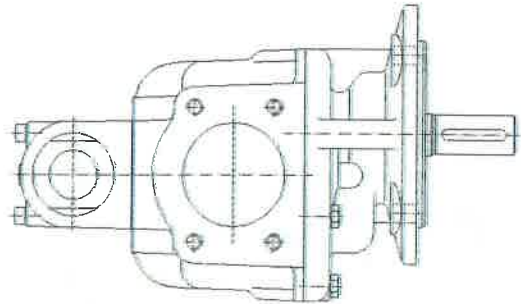


## GEAK gear pump

### Description

GEAK pumps are selfpriming gear pumps for horizontal installation (optional vertical installation). On request GEAK pumps are available with a internal safety valve. The advanced modular design reduces the number of parts whilst maximising interchangeability.



### Applications

GEAK pumps meet the requirements of many applications, as:

- ❖ Lub Oil Pump
- ❖ Fuel Oil Pump
- ❖ Hydraulic Oil Pump
- ❖ and many others...

### Material

Casing	Cast iron
Gears	Steel
Shaft	Steel
Shaft sealing	Radial shaft seal or mech. Seal

### Technical Data

Capacity	max. 65 m <sup>3</sup> /h
Pressure	max. 25 bar
Speed	max. 1800 1/min
Temperature	max. 95° C (optional 200)
Pressure rating	max. 30 bar