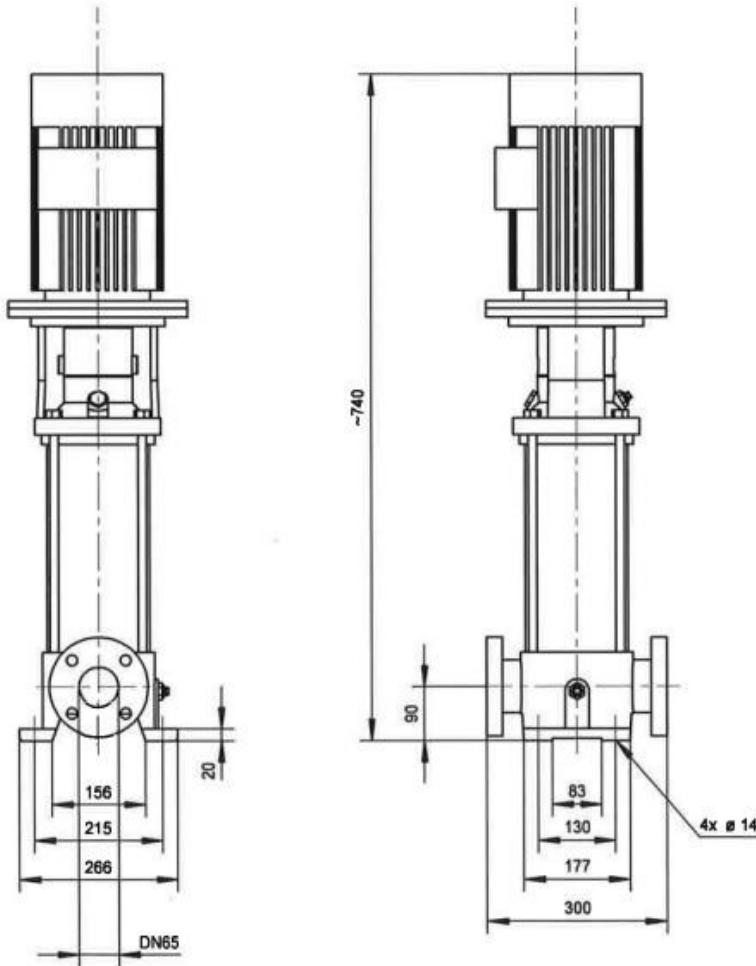


# CHEMICAL PUMP FOR EXHAUST GAS BOILER



## MULG-V 1505 IILG-4,0/2

Centrifugal pump, multistage, vertical,  
normal priming; with electric motor

### PURPOSE

- Chemical pump for exhaust gas boiler

### TECHNICAL DATA

- Capacity m<sup>3</sup>/h: 20
- Pressure bar: 1,5
- Revolutions 1/min: 2950
- Power required kW: ~1,6
- NPSHr m: 1,5
- Medium water with chemicals
- Medium temperature C: 20-120

### MATERIAL

- CASING: Stainless steel
- Impeller: Stainless steel
- Shaft: Stainless steel
- Shaftsealing: mechanical seal

### ELECTRIC-MOTOR

- Power kW: 2,2
- Revolutions 1/min: 2950
- Voltage v: 400
- Frequency Hz: 50
- Protection IP: 55

### EXTRA

Test and certificate: optional, if required

Recommended Spare parts

Mechanical seal # 105

## MASSBLATT/DIMENSION TABLE

MULG-V 1502 DIL-2,2/2

MULG-V 1502 IIL-2,2/2

# SCARDANA®

Procurement & Supply Chain

Contractors

Worldwide since 1974

Tel.: (1) 450) 465 6556

Fax: (1) 450 671 3898

sales@scardana.com

www.Scardana.com

# SUPPLY AND REPLACE SHIP'S PUMPS

FROM SCARDANA'S LINE OF STURDY RELIABLE  
GERMAN MARINE PUMPS:

- Economical and cost effective
- Many sizes from stock or very short deliveries
- Readily class certifiable DNV-GL
- All shipboard applications available
- Many decades of experience.  
We know what works and what doesn't
- Prompt attention, prompt service
- Worldwide delivery and logistics services.

Ask SCARDANA about all pump replacements

## SCARDANA®

Procurement & Supply Chain Contractors

**Worldwide since 1974**

TEL.: (1) 450 465-6556 | FAX: (1) 450 671-3898

SALES@SCARDANA.COM | WWW.SCARDANA.COM