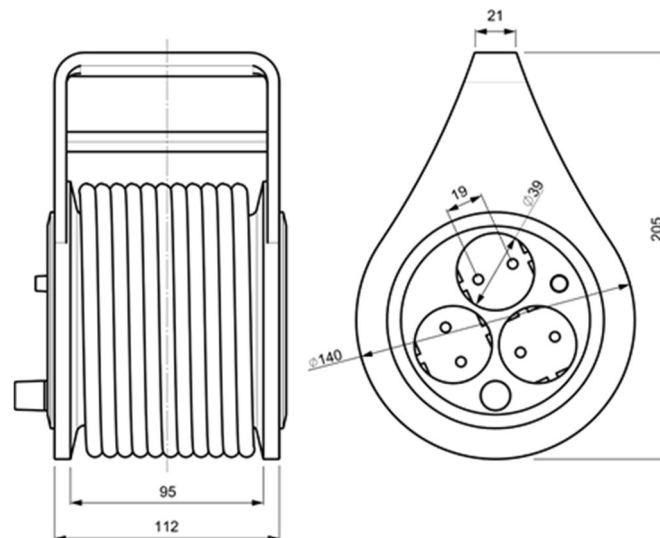


Description & characteristics



- Reel extension 8 meters cable H05VV-F 3G1,5 mm².
- 3 bipolar sockets with lateral earth connection (Schuko) 16A 250V~.
- Bipolar plug with lateral earth connection (Schuko) 16A 250V~.
- Maximum power with extended cable: 3.000W.
- Maximum power with rolled cable: 1.000W.
- With power limiter.
- Indoor use.
- With hanger.
- Colour: Blue and grey.

Dimensions



Specifications

- Directive 2014/35/UE.
 - Directive 2011/65/UE (RoHS).
 - Electrical low voltage regulation.
 - Standard UNE 20315-1-1 y 1-2.
- CE**
- Standard UNE 21031
 - Standard EN 61242

Technical data

- Fire resistance (Glow wire test 650°C and 750 °C).
- Heat resistance (Ball pressure test 70°C and 125°C).
- Halogen-free insulation material.

ED01 / April 2021